

서스피팅



SUS FITTINGS

www.cdcpneumatics.com

SUS FITTINGS

서스피팅



SUS FITTINGS

서스피팅

Applications

용도

- 식음료, 석유 및 가스, 화학물질 등 특수한 산업 환경에서 사용가능한 관 연결구입니다.
- 화학 및 제약산업장비제작에 사용이 적합한 재질로 제작된 제품입니다.

- It is definitive stainless steel fitting series, called a pipe connector.
- It is used in special industrial environments in all sectors related to food and beverage, oil and gas and chemical.
- Its material is suited and applicable to chemical and pharmaceutical industry equipment.

Features

특징

- 고온환경과 내식성을 요구하는 사용환경에 적합합니다.
- 한번의 동작으로 튜브를 원터치방식으로 쉽게 탈착 할 수 있습니다.
- It is designed to instant, tool-free and push-fit connection- easily detached and can be reused.
- It is suitable for high temperature and is made of corrosion resistance material.

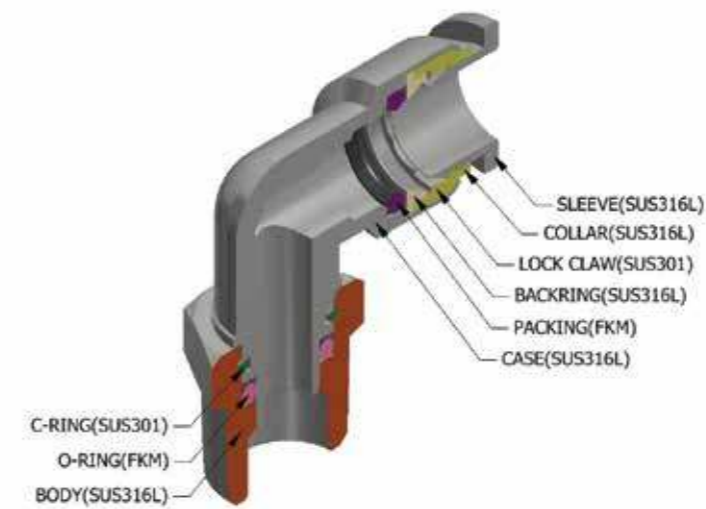
Technical Specification

사양

재 질	SUS 316L
사용유체	Air, OIL, Water, Steam.
사용압력	0~18kgf/cm²
사용온도	-20~150℃

Structural Diagram

구조도



SUS FITTINGS



Product Code System

주문형식

SS-PC 04 M5

STAINLESS STEEL
PUSH-IN FITTINGS

TUBE DIA	
CODE	SIZE
04	Ø4
06	Ø6
08	Ø8
10	Ø10
12	Ø12

THREAD SIZE	
CODE	SIZE
M5	M5×0.8
01	R1/8
02	R1/4
03	R3/8
04	R1/2

Caution 주의사항

- 연결하는 파이프의 절단면은 반드시 평평한 단면이 되어야 누출이 발생하지 않음
- 최대 사용 압력과 온도 범위 내에서 사용
- 금속가루나 모래같은 이물질 유입 방지
- 연결 후 누출이 있는지 꼭 확인 후 사용

- The cut surface must be flat to prevent leakage.
- Use within the maximum working pressure and temperature range.
- Protect ingress of solid foreign bodies such as dust, dirt and etc.
- Check leaks before use.

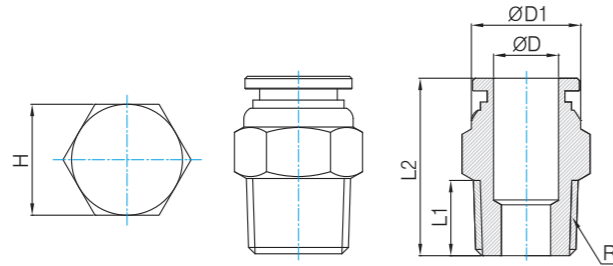
SUS FITTINGS
SS-PC

316L



단위: 밀리미터(mm)

MODEL	ØD	R	L1	L2	ØD1	맞변폭
SS-PC 04-M5	4	M5X0.8	4.0	19.3	10.0	10.0
SS-PC 04-01	4	R1/8	7.5	16.8	10.0	10.0
SS-PC 04-02	4	R1/4	9.5	18.8	10.0	14.0
SS-PC 06-M5	6	M5X0.8	4.0	20.2	12.0	12.0
SS-PC 06-01	6	R1/8	7.5	19.3	12.0	12.0
SS-PC 06-02	6	R1/4	9.5	19.5	12.0	14.0
SS-PC 08-01	8	R1/8	7.5	23.4	14.0	14.0
SS-PC 08-02	8	R1/4	9.5	22.0	14.0	14.0
SS-PC 10-02	10	R1/4	9.5	26.2	17.0	17.0
SS-PC 10-03	10	R3/8	10.5	22.7	17.0	17.0
SS-PC 12-02	12	R1/4	9.5	30.0	20.0	20.0
SS-PC 12-03	12	R3/8	10.5	26.0	20.0	20.0
SS-PC 12-04	12	R1/2	13.5	26.0	20.0	21.0



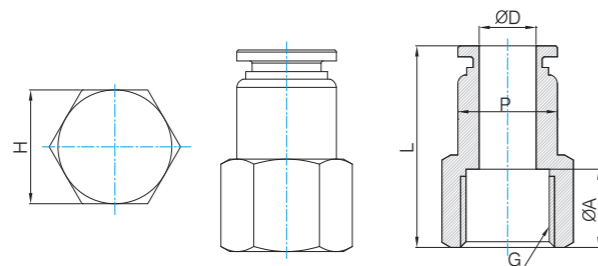
SUS FITTINGS
SS-PCF

316L



단위: 밀리미터(mm)

MODEL	ØD	G	H	L	ØA	맞변폭
SS-PCF 04-01	4	Rc1/8	8.5	23.0	10.0	14.0
SS-PCF 04-02	4	Rc1/4	11.0	25.5	10.0	17.0
SS-PCF 06-01	6	Rc1/8	8.5	24.0	12.0	14.0
SS-PCF 06-02	6	Rc1/4	11.0	26.5	12.0	17.0
SS-PCF 08-01	8	Rc1/8	8.5	25.0	14.0	14.0
SS-PCF 08-02	8	Rc1/4	11.0	27.5	14.0	17.0
SS-PCF 10-02	10	Rc1/4	11.0	30.0	17.0	17.0
SS-PCF 10-03	10	Rc3/8	12.0	31.0	17.0	20.0
SS-PCF 12-02	12	Rc1/4	11.0	31.5	20.0	20.0
SS-PCF 12-03	12	Rc3/8	12.0	32.5	20.0	20.0
SS-PCF 12-04	12	Rc1/2	14.0	34.5	20.0	24.0



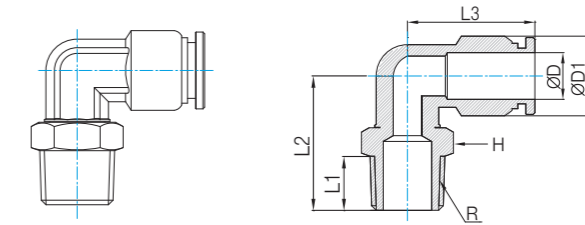
SUS FITTINGS
SS-PL

316L



단위: 밀리미터(mm)

MODEL	ØD	R	L1	L2	L3	ØD1	맞변폭
SS-PL 04-M5	4	M5	4.0	17.5	18.3	10.0	10.0
SS-PL 04-01	4	R1/8	7.5	20.0	18.3	10.0	10.0
SS-PL 04-02	4	R1/4	9.5	22.0	18.3	10.0	14.0
SS-PL 06-M5	6	M5	4.0	17.5	20.3	12.0	10.0
SS-PL 06-01	6	R1/8	7.5	23.0	20.3	12.0	12.0
SS-PL 06-02	6	R1/4	9.5	23.0	20.3	12.0	14.0
SS-PL 08-01	8	R1/8	7.5	23.5	22.3	14.0	12.0
SS-PL 08-02	8	R1/4	9.5	23.5	22.3	14.0	14.0
SS-PL 10-02	10	R1/4	9.5	33.0	26.4	17.0	17.0
SS-PL 10-03	10	R3/8	10.5	30.0	26.4	17.0	17.0
SS-PL 12-02	12	R1/4	9.5	34.5	29.4	20.0	17.0
SS-PL 12-03	12	R3/8	10.5	31.5	29.4	20.0	17.0
SS-PL 12-04	12	R1/2	13.5	33.5	29.4	20.0	21.0



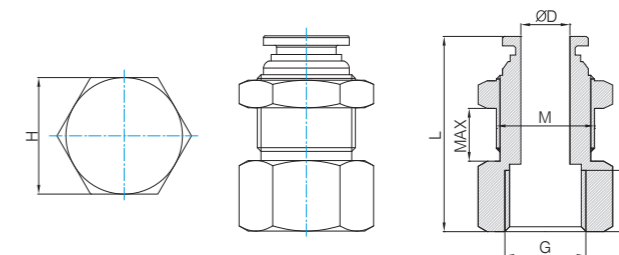
SUS FITTINGS
SS-PMF

316L



단위: 밀리미터(mm)

MODEL	ØD	G	H	L	M	MAX	맞변폭
SS-PMF 04-01	4	Rc1/8	8.5	23.0	M12X1	5.0	14.0
SS-PMF 04-02	4	Rc1/4	11.0	25.5	M12X1	5.0	17.0
SS-PMF 06-01	6	Rc1/8	8.5	24.0	M14X1	5.0	17.0
SS-PMF 06-02	6	Rc1/4	11.0	26.5	M14X1	5.0	17.0
SS-PMF 08-01	8	Rc1/8	8.5	25.0	M16X1	6.0	19.0
SS-PMF 08-02	8	Rc1/4	11.0	27.5	M16X1	6.0	19.0
SS-PMF 10-02	10	Rc1/4	11.0	30.0	M20X1	8.0	21.0
SS-PMF 10-03	10	Rc3/8	12.0	31.0	M20X1	8.0	21.0
SS-PMF 12-02	12	Rc1/4	11.0	31.5	M22X1	8.0	24.0
SS-PMF 12-03	12	Rc3/8	12.0	32.5	M22X1	8.0	24.0
SS-PMF 12-04	12	Rc1/2	14.0	34.5	M22X1	8.0	24.0



SUS FITTINGS

서스피팅

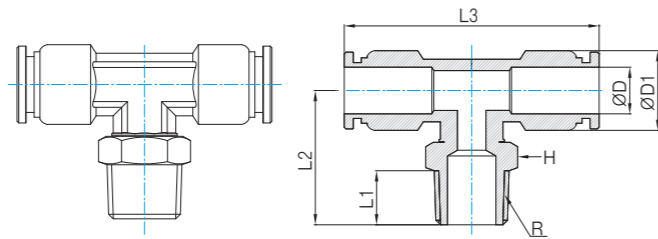
SUS FITTINGS SS-PT

316L



단위: 밀리미터(mm)

MODEL	φD	R	L1	L2	L3	φD1	맞변폭
SS-PT 04-01	4	R1/8	7.5	20.0	36.6	10.0	10.0
SS-PT 06-01	6	R1/8	7.5	23.0	40.6	12.0	12.0
SS-PT 06-02	6	R1/4	9.5	23.0	40.6	12.0	14.0
SS-PT 08-01	8	R1/8	7.5	23.5	44.6	14.0	12.0
SS-PT 08-02	8	R1/4	9.5	23.5	44.6	14.0	14.0
SS-PT 10-02	10	R1/4	9.5	33.0	52.8	17.0	17.0
SS-PT 10-03	10	R3/8	10.5	30.0	52.8	17.0	17.0
SS-PT 12-03	12	R3/8	10.5	31.5	58.8	20.0	17.0
SS-PT 12-04	12	R1/2	13.5	33.5	58.8	20.0	21.0



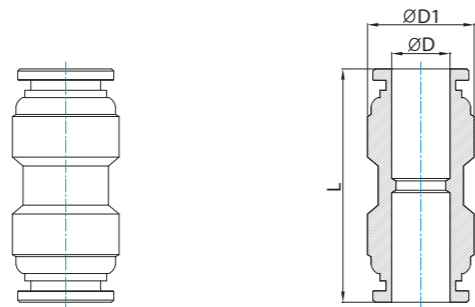
SUS FITTINGS SS-PUC

316L



단위: 밀리미터(mm)

MODEL	φD	φD1	L
SS-PUC 04	4	11.0	27.0
SS-PUC 06	6	13.0	29.5
SS-PUC 08	8	15.0	32.5
SS-PUC 10	10	18.0	36.8
SS-PUC 12	12	21.0	39.8



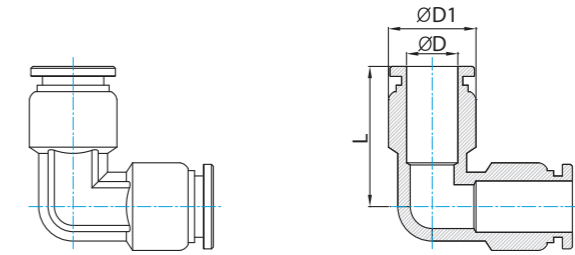
SUS FITTINGS SS-PUL

316L



단위: 밀리미터(mm)

MODEL	φD	φD1	L
SS-PUL 04	4	10.0	18.0
SS-PUL 06	6	12.0	20.0
SS-PUL 08	8	14.0	22.0
SS-PUL 10	10	17.0	26.0
SS-PUL 12	12	20.0	29.0



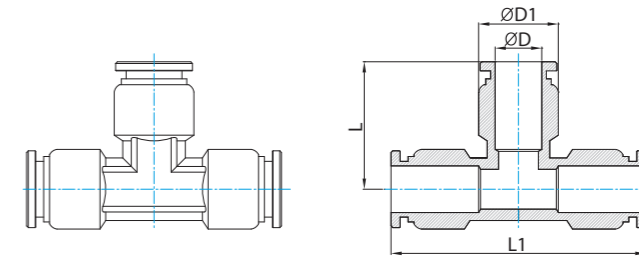
SUS FITTINGS SS-PUT

316L



단위: 밀리미터(mm)

MODEL	φD	φD1	L	L1
SS-PUT04	4	10.0	18.0	36.0
SS-PUT06	6	12.0	20.0	40.0
SS-PUT08	8	14.0	22.0	44.0
SS-PUT10	10	17.0	26.0	52.0
SS-PUT12	12	20.0	29.0	58.0



SUS FITTINGS SS-PMM

316L



단위: 밀리미터(mm)

MODEL	φD	φD1	L	L1max	M	맞변폭
SS-PMM04	4	10.0	18.0	8.0	M12X1	14.0
SS-PMM06	6	12.0	20.0	8.0	M14X1	17.0
SS-PMM08	8	14.0	22.0	8.5	M16X1	19.0
SS-PMM10	10	17.0	26.0	9.5	M20X1	24.0
SS-PMM12	12	20.0	29.0	11.5	M22X1	26.0

